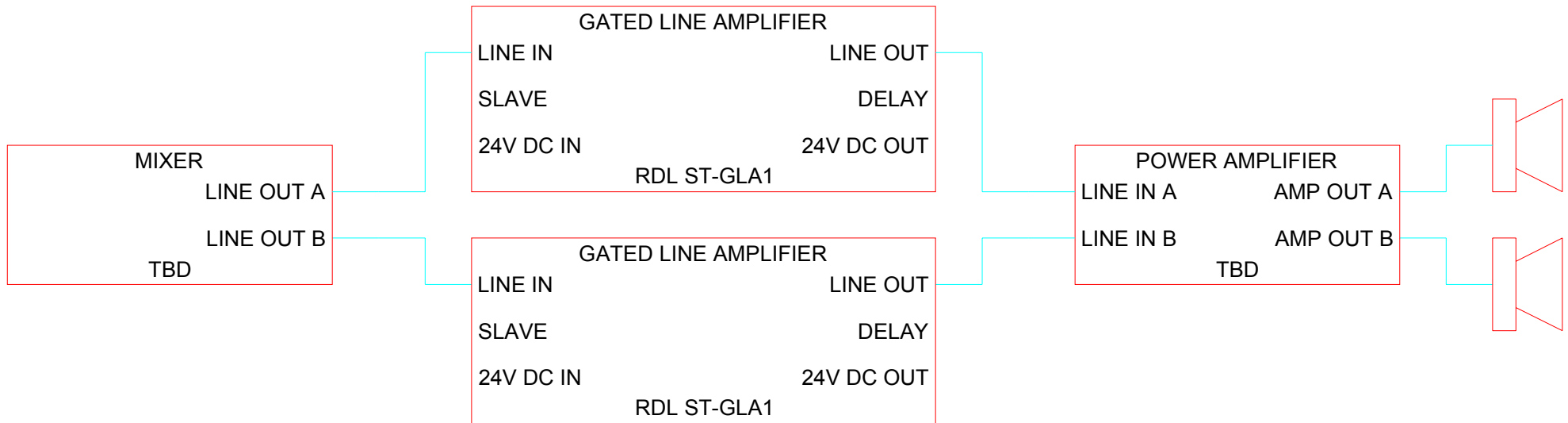


Audio monitor speaker signals often contain unwanted noise that is distracting to performers between musical selections or when the monitors are not in use. Examples include ambient pickup from live microphones or hum from instruments. During these periods when performers are not actively listening to the monitors, the RDL ST-GLA1 (use 2 for stereo as shown) mutes the audio signal to the monitor amplifier(s). The muting threshold is adjusted on the module to activate the audio for valid signal levels. The monitors will be muted at all other times. This application may be used in installations using either fixed or portable monitor speakers. It is ideal for church choir monitors or any performance area using stage monitors. [Click here](#) for a *manual remote* stage monitor noise reduction application.



## RDL PRODUCTS