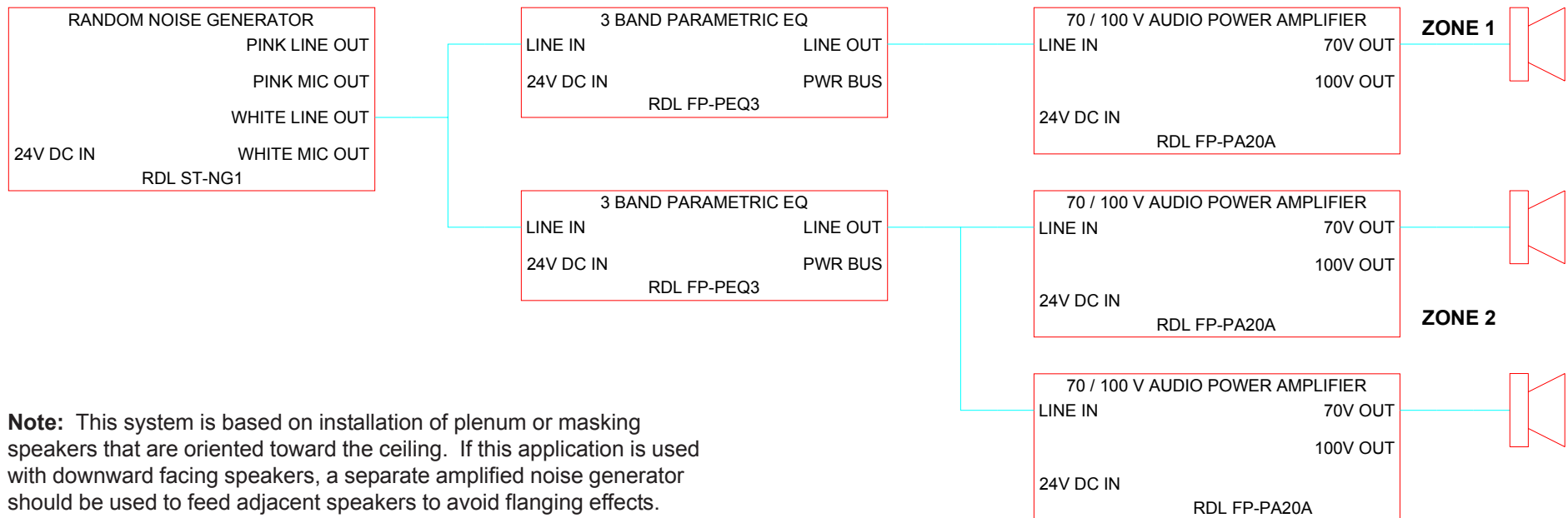


This application shows the layout of a 2 zone noise masking system. The white noise line output from the RDL ST-NG1 feeds the inputs of two RDL FP-PEQ3 parametric equalizers. The FP-PEQ3 equalizers allow the installer to flatten the noise spectrum in each zone. The line output of each FP-PEQ3 is fed through RDL FP-PA20A 20W, 70/100V power amplifiers. The 70V output of each FP-PA20A feeds multiple 70V speakers in its associated zone. Multiple equalizers and amplifiers may be added for larger systems with more zones.



### RDL PRODUCTS

3 <a href="#">FP-PA20A</a>	70 / 100 V Power Amplifier	<a href="#">FP-PA20A</a>	70 V / 100 V Audio	<a href="#">FP-PA20A</a>	Amplificador de Potencia de Audio 70V / 100V	<a href="#">FP-PA20A</a>	Amplificateur de Puissance 70 V / 100 V
2 <a href="#">FP-PEQ3</a>	3-Band Parametric Equalizer	<a href="#">FP-PEQ3</a>	3-Band Parametrischer Equalizer	<a href="#">FP-PEQ3</a>	3-Band Parametrischer Equalizer	<a href="#">FP-PEQ3</a>	Correcteur Paramétrique 3 Bandes
1 <a href="#">ST-NG1</a>	Random Noise Generator	<a href="#">ST-NG1</a>	Rauschgenerator	<a href="#">ST-NG1</a>	Generador de Sonoridad Rosada y Blanca	<a href="#">ST-NG1</a>	Générateur de Bruit Rose et Blanc